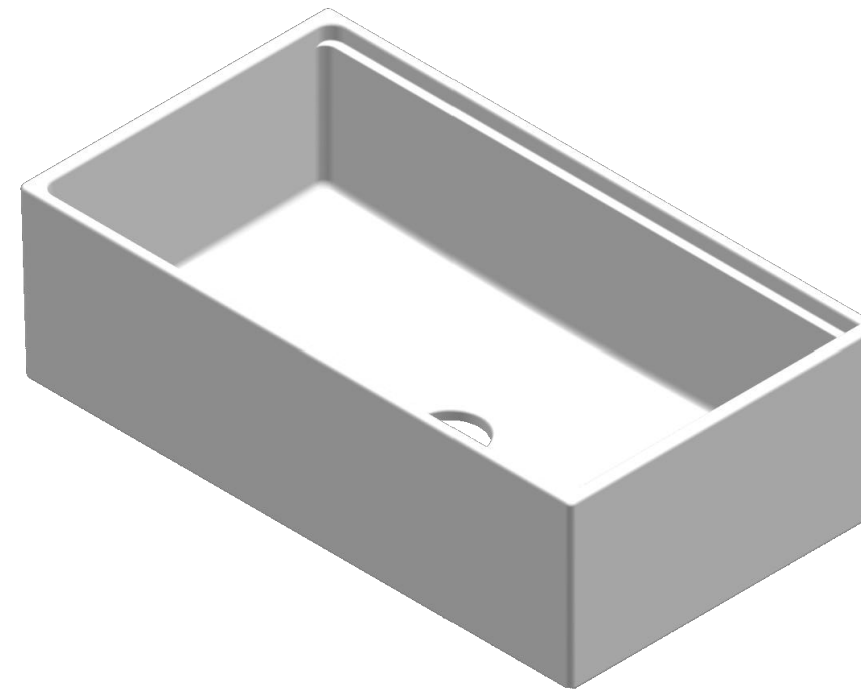
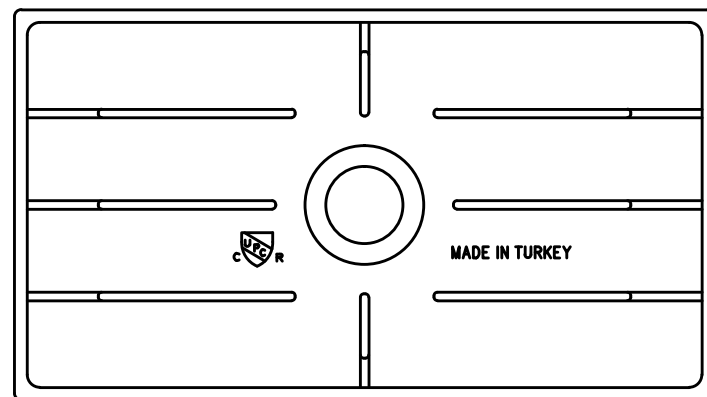
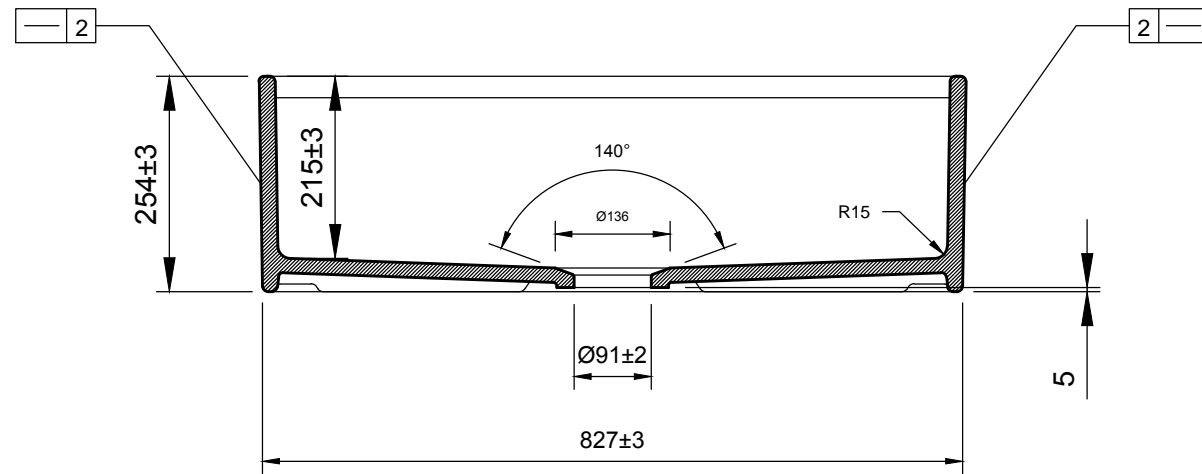
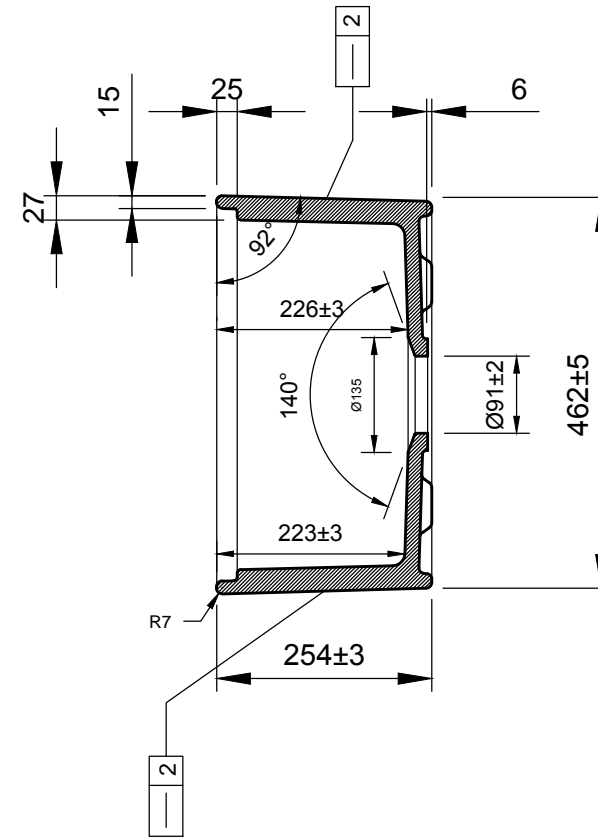
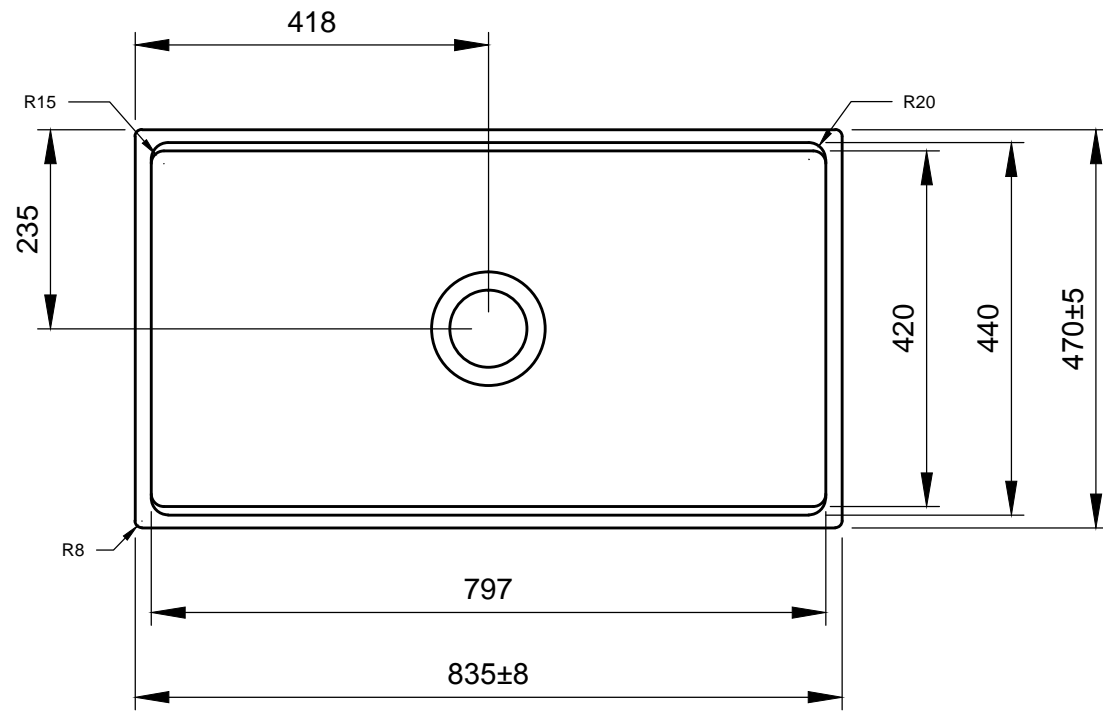


1504



Created by COSKUN - DEDE		Tolerance Except Noted Lengths ±3 Angles ±1°	Material FINE FIRE CLAY	Replaces Document	
Company SANIKEY	Product Contempo		Product no 1504		
	Product name 1504		Created Date 27.12.2021		
			Document Number 001		