

BOCCHI

BAVENO

27" WORKSTATION SINK
DUAL MOUNT, HIDE-AWAY



Product Code

1633-XXX-0127 (3 hole)

1633-XXX-0132 (2 hole)

FEATURES:

- Fine Fireclay Construction
- 2x Cover/Cutting Boards (Outer Ledge), 1x Cutting Board (Inner Ledge), Colander (Inner Ledge), 2x Roller Mat (1 Inner & 1 Outer Ledge), Stainless Steel Sink Grid and Chrome Strainer included
- Compatible with standard garbage disposal flange, extender not required
- Requires a minimum 30 inch base cabinet
- 3 1/2" drain
- Ideal with BOCCHI Telescopic Kitchen Faucets

Standard Colors

White (001), Biscuit (014)

Premium Colors

Matte White (002), Matte Black (004)

Black (005), Matte Gray (006)

Sapphire Blue (010), Matte Dark Gray (020)

Matte Brown (025)

DIMENSIONS

Nominal Dimensions

27" x 22" x 9 7/8"

BOWL INSIDE DIMENSIONS

24 1/4" x 14 5/8" x 9"

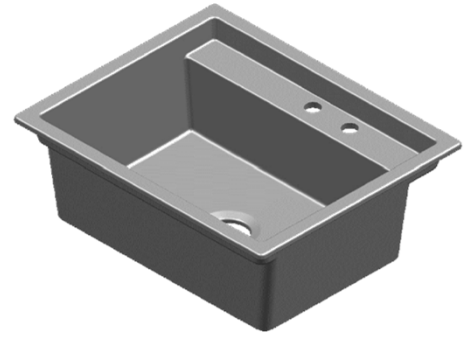
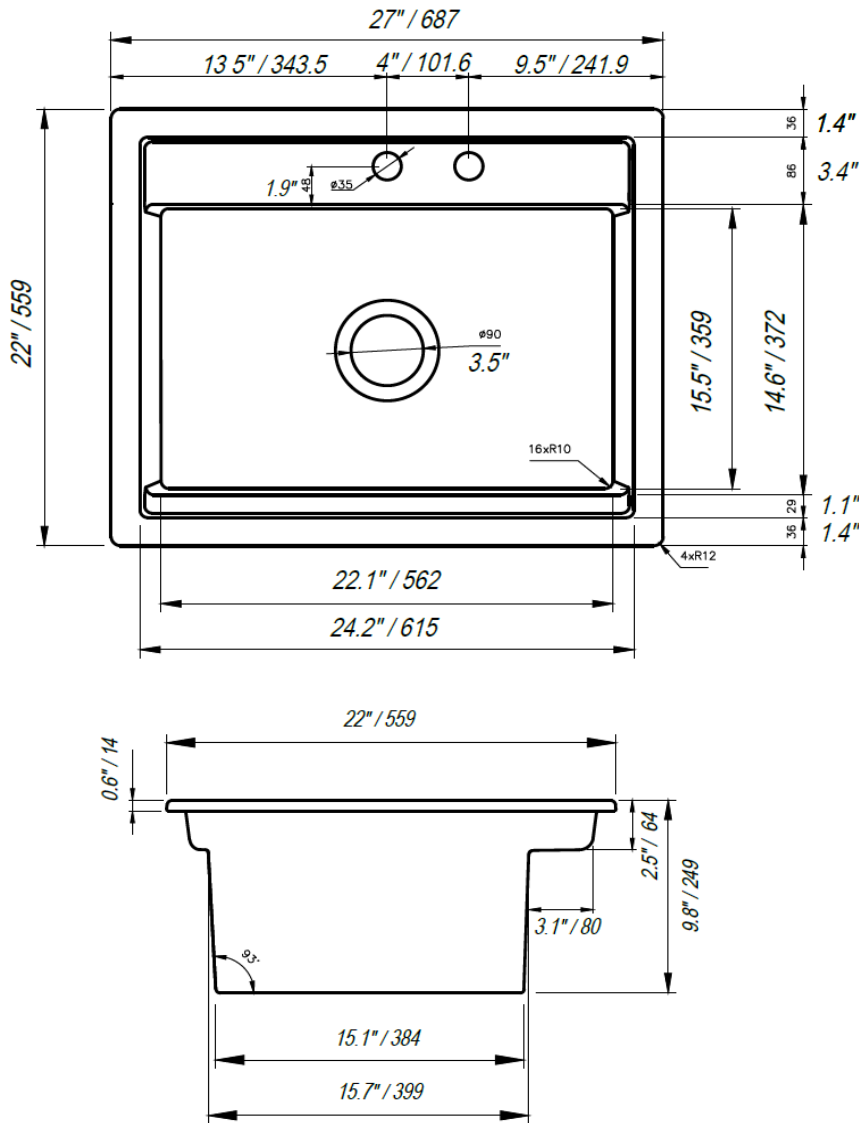
COMPONENTS INCLUDED IN THE BOX:

2330 0001 Chrome Strainer, 2300 2058 Sink Grid,
2320 0006 Cutting Board, 2320 0007 Large Cutting Board x 2
2310 0007 Colander, 2350 0004 Roller Mat
2350 0005 Large Roller Mat

COMPLIANCE CERTIFICATION:

Meet or Exceed ASME A112.19.2.15 / CSA B45.5 / ANSI Z124.8

IMPORTANT: These measurements are subject to change or cancelation. No responsibility is assumed for use of superseded or voided pages. Bocchi reserves the right to make revisions without notice to product specification.



Notes:

Refer to installation instructions supplied with kitchen sink for undermount, or drop-in installations. Templates available online on www.bocchiusa.com

CAUTION: Sink is heavy! Installer must provide adequate reinforcement for all load-bearing supports in accordance with installation instructions supplied with kitchen sink. Fittings included with the fixture and must be used as directed.

IMPORTANT: Dimensions of fixtures are nominal and may vary within the range of tolerance established by ANSI standards. These measurements are subject to change or cancellation. No responsibility is assumed for use of superseded or voided pages.