

BOCCHI

PARMA 20

Lavatory



Product Code

1384-XXX-0125

FEATURES

- Fine fireclay construction
- Undermount sink
- Without faucet hole
- With overflow

Standard Color

White (001)

Special Color

Biscuit (014)

Premium Colors

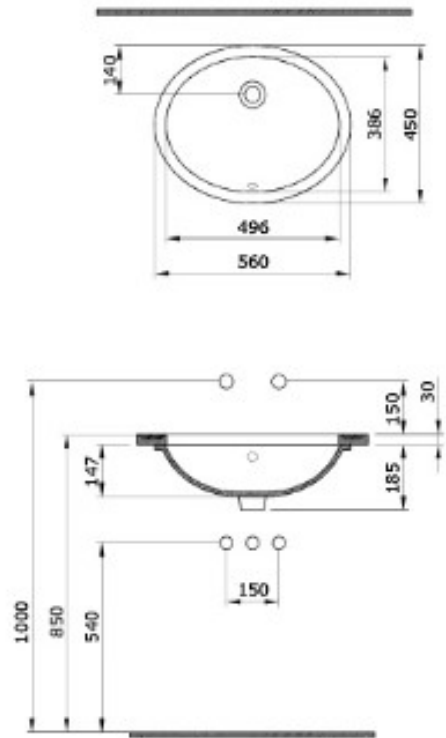
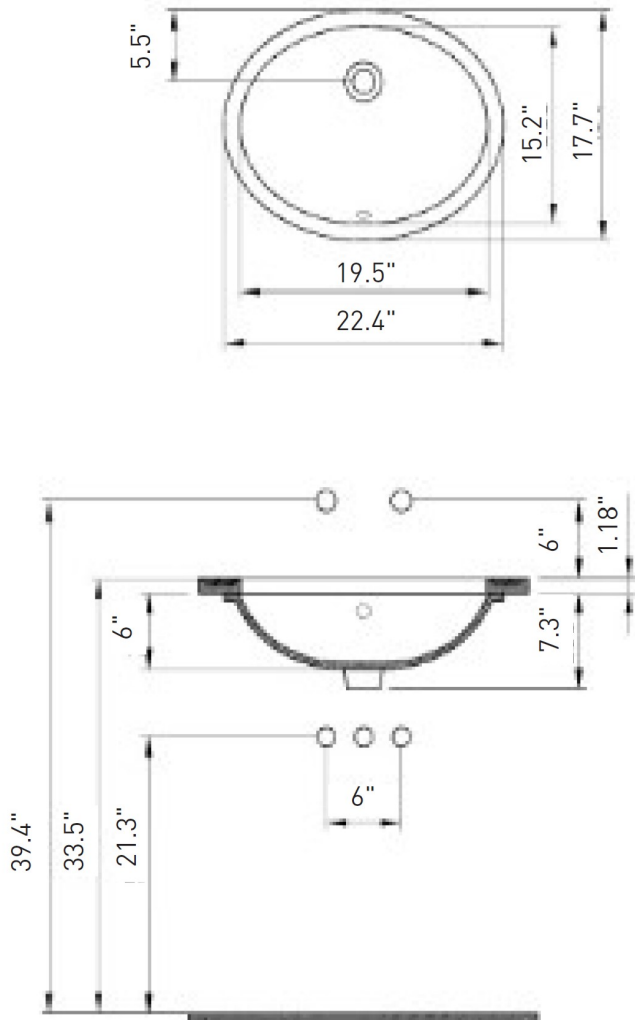
Matte White (002), Black (005),
Matte Black (004), Sapphire Blue (010)

DIMENSIONS

NOMINAL DIMENSIONS including lip
22.4" x 17.7" x 6"
(560 x 450 x 147 mm)

COMPLIANCE CERTIFICATIONS

Meet or Exceeds ASME A112.19.2 / CSA B45.1



NOTES:

Refer to installation instructions supplied with bathroom sink for wall mount, countertop or console leg installations.

CAUTION: Sink is heavy! Installer must provide adequate reinforcement for all load-bearing supports in accordance with installation instructions supplied with bathroom sink.

IMPORTANT: Dimensions of fixtures are nominal and may vary within the range of tolerance established by ANSI standards. These measurements are subject to change or cancellation. No responsibility is assumed for use of superseded or voided pages.