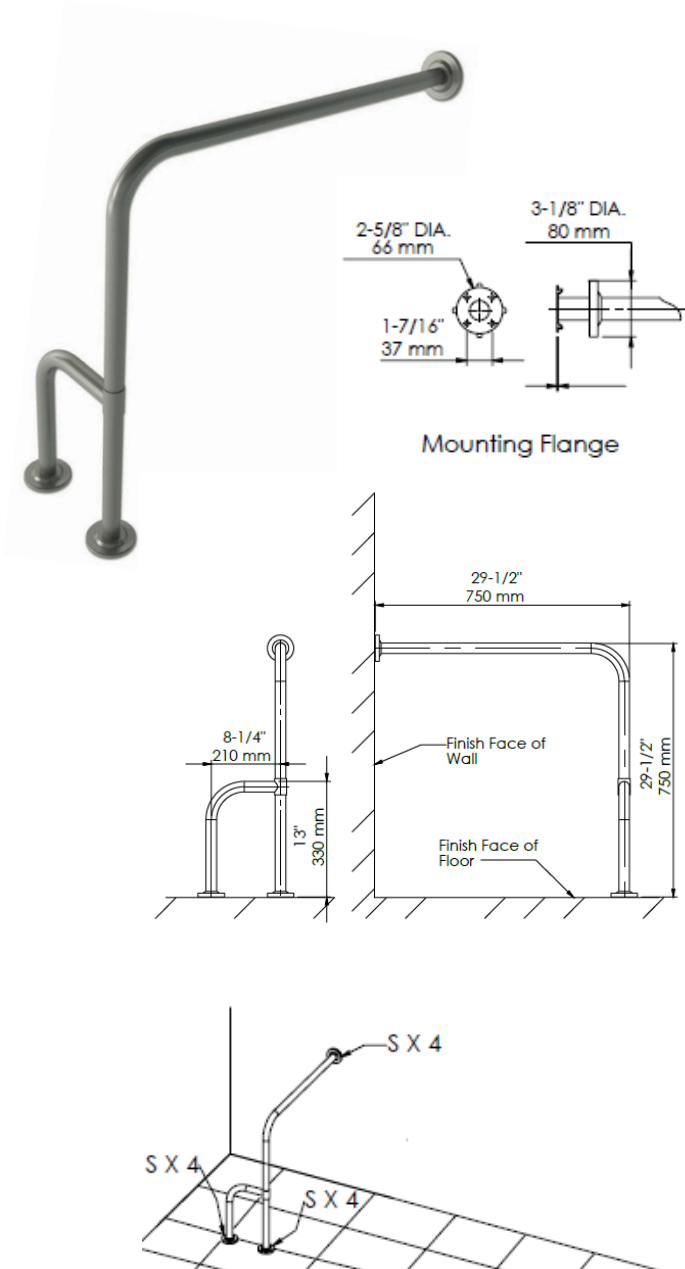


BOCCHI®

WALL-TO-FLOOR

GRAB BAR - STAINLESS STEEL



Product Codes

TBPC-101-1190

FEATURES

- Wall-to-floor mounted with support leg
- Made of seamless grade 304 stainless steel
- Satin finish
- Hidden flange caps.
- Tig argon welded to mounting flanges

STANDARDS

ASTM F 446-85

ICC A117.1-2009 Accessible and Usable Buildings and Facilities

AVAILABLE COLOR / FINISHES

TBPC-101-1190 MATTE STAINLESS STEEL

IMPORTANT: These measurements are subject to change or cancellation. No responsibility is assumed for use of superseded or voided pages. Bocchi reserves the right to make revisions without notice to product specifications.