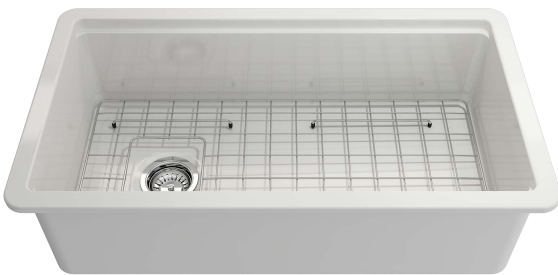


BOCCHI

SOTTO 34 STEP-RIM

TRI-MOUNT SINGLE BOWL KITCHEN SINK



OPTIONAL ACCESSORIES (SOLD SEPARATELY)

2300 2069GM - GUN METAL SINK RACK
2300 2069BG - BRUSHED GOLD SINK RACK
2300 2069MB - MATTE BLACK SINK RACK
2330 0001GM - GUN METAL STRAINER
2330 0001BG - BRUSHED GOLD STRAINER
2330 0001MB - MATTE BLACK STRAINER
1220 XXX COLOR-MATCHED DRAIN COVER

(INNER LEDGE)

2310 0006 - EXPANDABLE COLANDER
2320 0008- PREP BOARD w/ KNIFE SLOTS
2320 0010- PREP BOARD w/ 3 BOWLS
2320 0012- PREP BOARD w/ 3 RECT. BOWLS
2320 0014- PREP BOARD w/ LARGE MIXING
BOWL AND COLANDER

(UPPER LEDGE/SEMI-REVEAL INSTALL ONLY)

2320 0001 - CUTTING BOARD
2310 0005 - COLANDER
2350 0001 - ROLLER MAT

Product Code

1693-XXX-0120

FEATURES

- Fine fireclay construction
- Fully glazed and finished lip with interior step-rim ledge for use with accessories
- 3-1/2" offset drain (reversible)
- Stainless steel bottom sink rack, chrome strainer and select accessories included
- Compatible with standard garbage disposal flanges, extenders not required
- Requires a minimum 36-in wide base cabinet
- Requires support frame in cabinetry
- Undermount, Drop-In or Semi-Reveal (to create a dual ledge) installation options

Standard Color

White (001)

Special Color

Biscuit (014)

Premium Colors

Matte White (002), Matte Black (004),
Black (005), Matte Gray (006),
Sapphire Blue (010), Matte Dark Gray (020),
Matte Brown (025)

DIMENSIONS

NOMINAL DIMENSIONS

34"X19"X10"

BOWL INSIDE DIMENSIONS

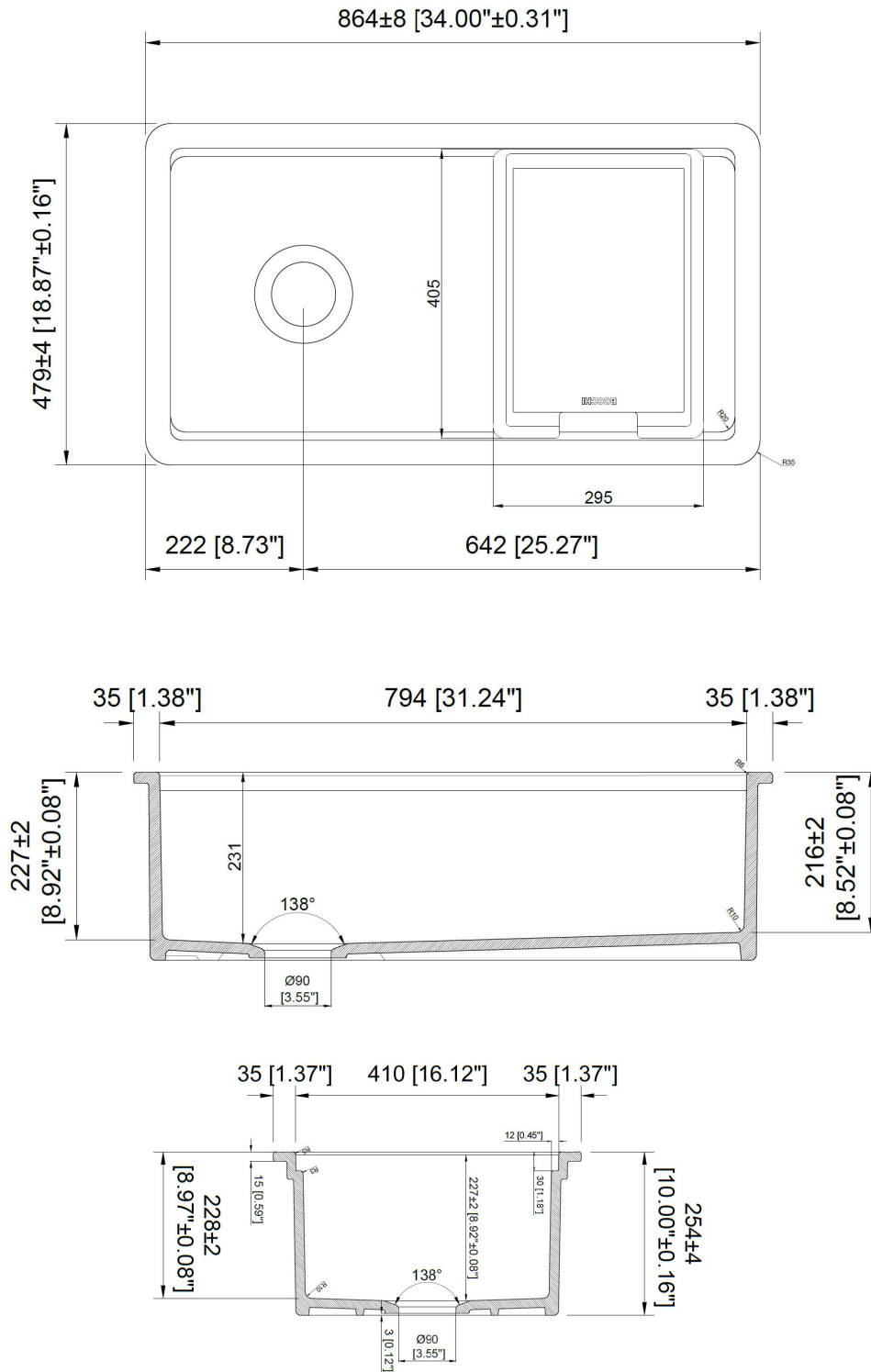
31.24" wide
16.12" front-to-back
8.52" depth

COMPONENTS INCLUDED THE BOX

2300 2069 - SS SINK RACK - CHROME (1pc)
2330 0001 - SINK STRAINER - CHROME (1pc)
2320 0006 - CUTTING BOARD
2310 0007 - COLANDER
2350 0004 - ROLLER MAT

COMPLIANCE CERTIFICATIONS

Meet or Exceeds ASME A112.19.2 / CSA B45.1



NOTES:

Refer to installation instructions supplied with kitchen sink for undermount, countertop or above counter custom installations.

Due to the fireclay process, dimensions may vary. Please use the actual sink that you will be installing in order to determine the cutout dimensions for your countertop.

CAUTION: Sink is heavy! Installer must provide adequate reinforcement for all load-bearing supports in accordance with installation instructions supplied with kitchen sink.

Fittings not included with fixture and must be ordered separately.

IMPORTANT: Dimensions of fixtures are nominal and may vary within the range of tolerance established by ANSI standards. These measurements are subject to change or cancellation. No responsibility is assumed for use of superseded or voided pages.